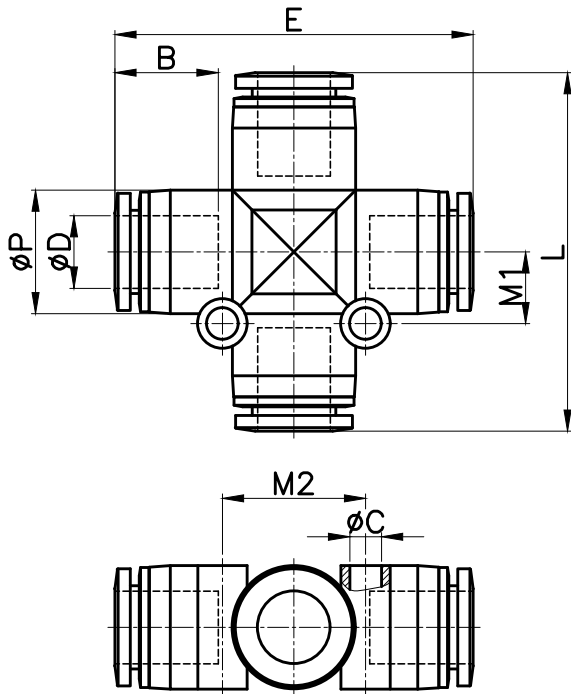


# PZA



MODEL	$\phi D$	$\phi P$	L	E	$\phi C$	B	M1	M2	ORIFICE	WEIGHT (g)	BOX(EA)
PZA 04	4	10.5	37.2	35.5	3.3	14.8	6.4	12.8	3.0	9.0	50
PZA 06	6	12.5	42.1	41.4	3.3	16.4	7.5	15.0	5.0	12.0	50
PZA 08	8	15.0	46.6	44.7	4.2	18.3	9.1	18.2	6.8	18.0	25
PZA 10	10	17.5	50.8	48.5	4.3	19.7	10.2	20.3	8.0	24.0	25
PZA 12	12	20.5	57.7	55.3	4.3	22.4	11.9	23.7	10.0	40.0	15