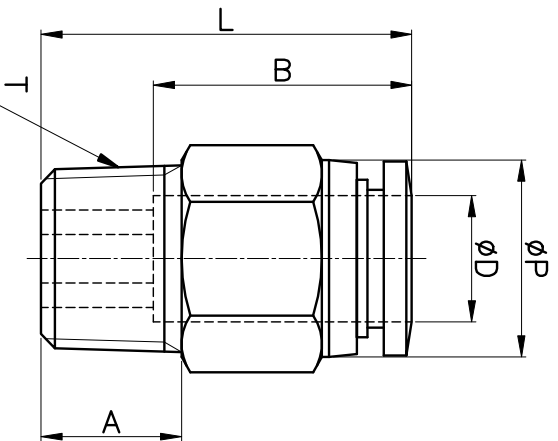
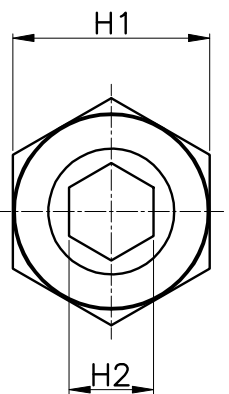


PC



MODEL	øD	øP	T	L	A	B	H1 (Hex)	H2 (Hex)	ORIFICE	WEIGHT (g)	BOX(EA)
PC 04-M5	4	10.0	M5*0.8p	20.9	4.0	14.8	10	-	2.5	7.0	100
PC 04-M6			M6*1.0p	20.9	4.1		10	-	8.0	100	
PC 04-01	4	10.0	R 1/8	22.0	8.0	14.8	10	3	3.0	9.0	100
PC 04-02			R 1/4	21.0	10.0		14	3	16.0	100	
PC 04-03	6	12.0	R 3/8	22.0	11.0	16.4	17	3	28.0	28.0	100
PC 06-M5			M5*0.8p	23.1	4.0		12	-	10.0	100	
PC 06-M6	6	12.0	M6*1.0p	23.0	4.1	16.4	12	-	3.0	10.0	100
PC 06-01			R 1/8	23.4	8.0		12	4	10.0	100	
PC 06-02	6	12.0	R 1/4	21.9	10.0	16.4	14	5	4.0	10.0	100
PC 06-03			R 3/8	22.9	11.0		17	5	25.0	100	
PC 06-04	8	14.0	R 1/2	29.2	14.0	18.4	19	5	5.0	53.0	50
PC 08-01			R 1/8	28.4	8.0		14	5	15.0	100	
PC 08-02	8	14.0	R 1/4	26.4	10.0	18.4	14	6	5.0	16.0	100
PC 08-03			R 3/8	23.9	11.0		17	6	24.0	100	
PC 08-04	10	16.1	R 1/2	29.4	14.0	19.7	19	6	6.0	49.0	50
PC 10-01			R 1/8	29.9	8.0		17	5	21.0	100	
PC 10-02	10	16.1	R 1/4	31.4	10.0	19.7	17	6	6.0	24.0	100
PC 10-03			R 3/8	27.5	11.0		17	8	24.0	100	
PC 10-04	12	19.0	R 1/2	29.9	14.0	21.9	19	8	8.0	45.0	50
PC 12-01			R 1/8	33.2	8.0		19	5	30.0	50	
PC 12-02	12	19.0	R 1/4	33.7	10.0	21.9	19	6	5.0	30.0	50
PC 12-03			R 3/8	30.7	11.0		19	8	29.0	50	
PC 12-04	14	21.8	R 1/2	30.2	14.0	23.8	19	8	8.0	38.0	50
PC 14-03			R 3/8	36.6	11.0		22	10	42.0	25	
PC 14-04	14	21.8	R 1/2	34.0	14.0	23.8	22	10	10.0	49.0	25
PC 16-03			R 3/8	37.5	11.0		24	10	51.0	25	
PC 16-04	16	24.0	R 1/2	40.5	14.0	24.0	24	10	10.0	65.0	25