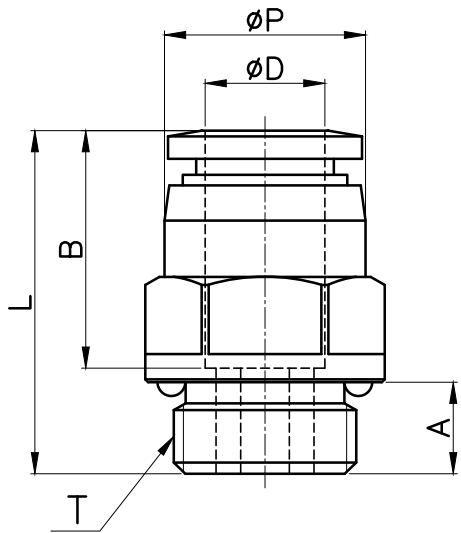
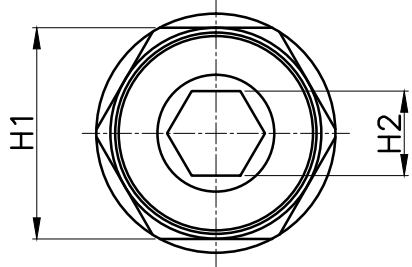


PC-M



MODEL	ϕD	ϕP	T	L	A	B	H1 (Hex)	H2 (Hex)	ORIFICE	WEIGHT (g)	BOX(EA)
PC 06-M12	6	12.3	M12*1.5p	24.7	8.0	14.8	15	5	5.0	16.0	100
PC 06-M14			M14*1.5p	24.7			17			22.1	100
PC 06-M16			M16*1.5p	24.7			17			25.6	100
PC 06-M22			M22*1.5p	24.7			21			46.7	50
PC 08-M12	8	14.3	M12*1.5p	26.0	8.0	18.4	15	6	6.0	14.2	100
PC 08-M14			M14*1.5p	26.0			17			21.2	100
PC 08-M16			M16*1.5p	25.0			17			22.0	100
PC 08-M22			M22*1.5p	24.0			21			40.2	50
PC 10-M12	10	16.5	M12*1.5p	31.0	8.0	19.7	17	6	6.0	22.5	100
PC 10-M14			M14*1.5p	31.0			17			24.4	100
PC 10-M16			M16*1.5p	27.0			17	20.0	100		
PC 10-M22			M22*1.5p	26.0			21	38.7	50		
PC 12-M12	12	19.0	M12*1.5p	33.9	8.0	21.9	19	6	6.0	28.1	50
PC 12-M14			M14*1.5p	33.4			19			30.0	50
PC 12-M16			M16*1.5p	33.4			19	31.5	50		
PC 12-M22			M22*1.5p	28.9			21	37.5	50		