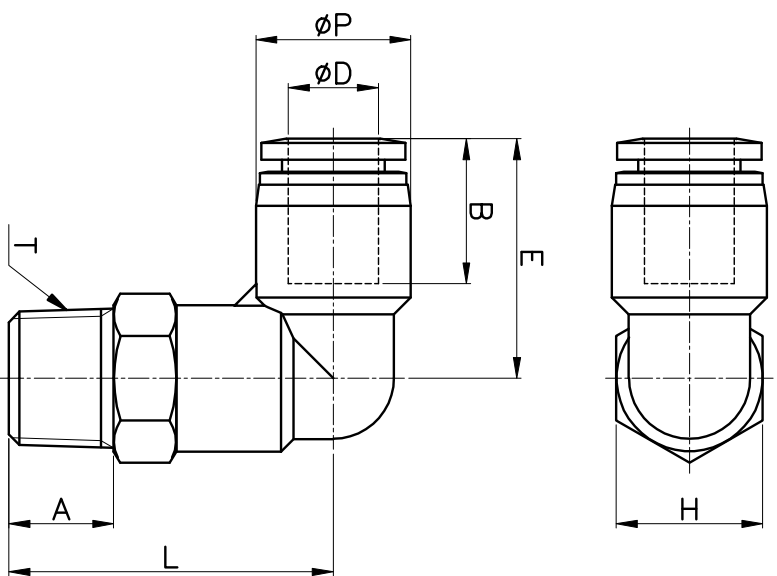


# PL



MODEL	ØD	ØP	T	L	E	A	B	H <sup>H</sup> (Hex)	ORIFICE	WEIGHT (g)	BOX(EA)
PL 04-M5	4	10.5	M5*0.8p	20.5	18.5	4.0	14.8	10	2.5	6.0	100
PL 04-M6			M6*1.0p	20.6		4.1		10		8.0	
PL 04-01	4	10.5	R 1/8	24.5	10.0	8.0	14.8	10	3.0	10.0	100
PL 04-02			R 1/4	26.5		10.0		14		15.0	
PL 04-03			R 3/8	27.5		11.0		17		26.0	
PL 06-M5	6	12.5	M5*0.8p	22.5	20.3	4.0	16.4	12	2.5	7.0	100
PL 06-M6			M6*1.0p	22.6		4.1		12		12.0	
PL 06-01	6	12.5	R 1/8	26.5	10.0	8.0	16.4	12	4.0	13.0	100
PL 06-02			R 1/4	29.5		10.0		14		19.0	
PL 06-03			R 3/8	30.5		11.0		17		27.0	
PL 06-04	6	12.5	R 1/2	33.5	14.0	14.0	16.4	21	4.0	39.0	50
PL 08-01			R 1/8	28.0		8.0		14		18.0	
PL 08-02	8	14.8	R 1/4	31.0	22.9	10.0	18.3	14	6.0	22.0	50
PL 08-03			R 3/8	32.0		11.0		17		27.0	
PL 08-04	8	14.8	R 1/2	35.0	14.0	14.0	18.3	21	6.0	43.0	50
PL 10-01			R 1/8	28.5		8.0		17		26.0	
PL 10-02	10	17.5	R 1/4	31.5	24.6	10.0	20.2	17	8.0	28.0	50
PL 10-03			R 3/8	32.5		11.0		17		30.0	
PL 10-04	10	17.5	R 1/2	35.5	14.0	14.0	20.2	21	8.0	48.0	25
PL 12-01			R 1/8	32.4		8.0		19		42.0	
PL 12-02	12	20.5	R 1/4	34.4	28.7	10.0	22.9	19	9.0	40.0	25
PL 12-03			R 3/8	35.4		11.0		19		43.0	
PL 12-04	12	20.5	R 1/2	38.4	14.0	14.0	22.9	21	10.0	52.0	25
PL 14-03			R 3/8	38.0		11.0		22		50.0	
PL 14-04	14	23.0	R 1/2	41.0	31.4	12.0	23.7	22	12.0	60.0	20
PL 16-03			R 3/8	42.8		11.0		24		69.0	
PL 16-04	16	25.5	R 1/2	45.8	32.8	14.0	24.1	24	13.0	77.0	20
PL 16-04			R 1/2	45.8		14.0		24		77.0	