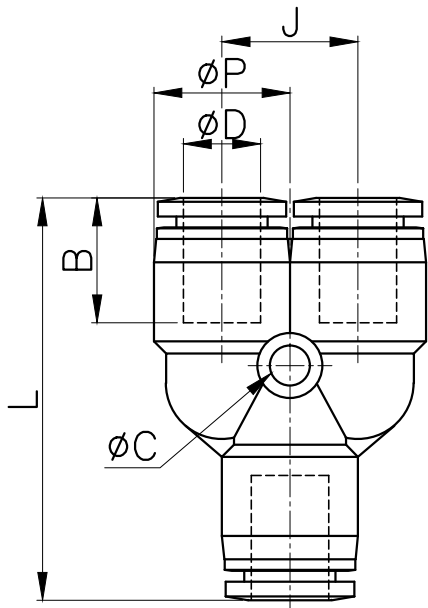


# PY



MODEL	$\phi D$	$\phi P$	L	J	$\phi C$	B	ORIFICE	WEIGHT (g)	BOX(EA)
PY 04	4	10.5	35.9	10.5	3.3	16.0	3.0	7.0	100
PY 06	6	13.0	39.2	13.0	3.3	17.6	5.0	10.0	50
PY 08	8	14.6	43.2	14.6	4.3	18.6	5.0	14.0	50
PY 10	10	17.5	47.2	17.5	4.5	19.9	6.0	20.0	25
PY 12	12	21.0	54.1	21.0	4.5	22.8	7.0	31.0	25
PY 16	16	25.5	61.9	25.5	5.3	24.1	11.0	45.9	15